



NORTH AMERICAN HVAC PRODUCTS LTD

Tel: 604-4308496 Fax: 1-866-9034371 www.northamericanhvac.com

Submittal Data Model No. MOD30U-36CN1-MM0W SIDE DISCHARGE CONDENSING UNIT 36,000BTU/H COOLING ONLY

Job Name:	Location:	Date:
Purchaser:	Engineer:	
Submitted To:	For:	Review() Approval ()



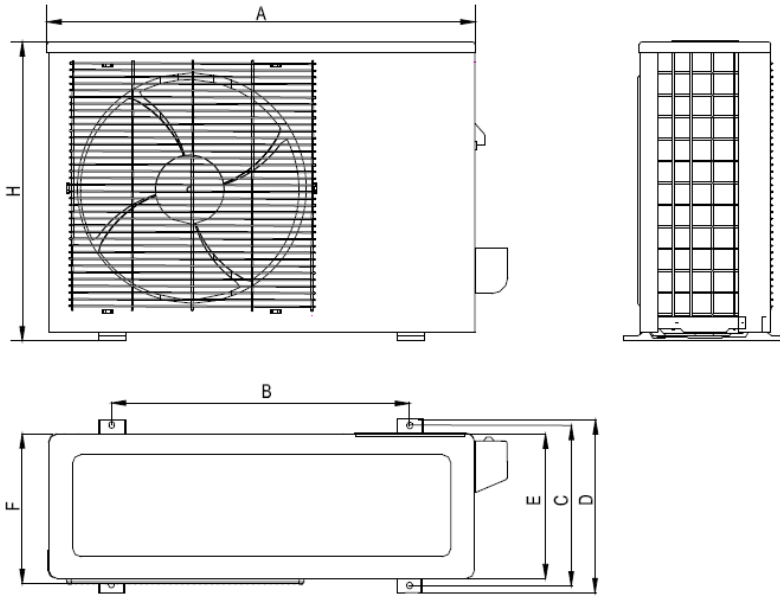
COMPABILITY:

SINGLE ZONE INDOOR SYSTEM:
Can be matched to any R410A air handler or coil.

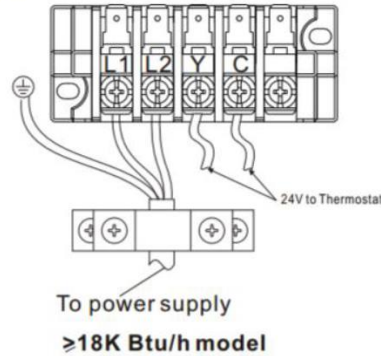
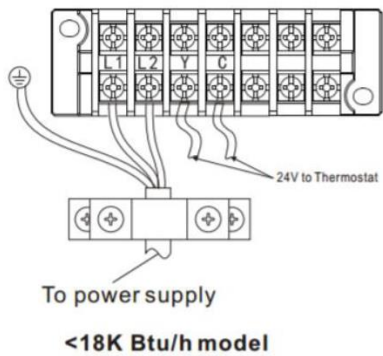
Specifications

Accessories	Line sets – insulated and flared.	TCP24L25 TCP24L50
Outdoor	Wall bracket	PJ412E
Outdoor	Riser support	SD01B
Safety Certifications		ETL
Warranty		2 YEARS PARTS, 6 YEARS COMPRESSOR

Model		MOD30U-36CN1-MM0W	
Power supply		V,Hz,Ph	208~230,60,1
Max. fuse		A	30
Compressor	Model		ASH280DG-C8DU
	Type		ROTARY
	Brand		HITACHI
	Capacity	Btu/h	28183
	Input	W	2700
Outdoor coil	Number of rows		3
	Tube pitch(a) x row pitch(b)	mm	21x13.37
		inch	0.83x0.53
	Fins/inch		18
	Fin type		Unhydrophilic aluminium
	Tube outside dia. and type	mm	Φ7, innergroove tube
		inch	
Coil lengthxheightxwidth	mm	1000x756x40.11	
	inch	39.37x29.76x1.58	
Number of circuits			6
Outdoor air flow (Max.)		m3/h	3621
Outdoor air flow (Max.)		CFM	2130
Outdoor noise level		dB(A)	56
Outdoor unit	Dimension (WxDxH)	mm	946x410x810
		inch	40.55x16.14x31.89
	Packing (WxDxH)	mm	1090x500x875
		inch	42.91x19.69x34.45
Net/ Gross weight	kg	67.3/73.1	
	lbs.	148.37/161.16	
Refrigerant type/Quantity	Type/Charged volume	Oz	R410A/134
Refrigerant precharge		ft	25
Additional charge for each ft		oz	0.32
Design pressure		PSIG	550/340
Refrigerant piping	Liquid side/ Gas side	mm(inch)	Φ9.52/Φ19(3/8"/3/4")
	Max. pipe length	m	30
		ft	98
	Max. difference in level	m	20
ft		66	
Ambient temperature	Cooling	°C	18~43
		°F	64~109



Terminal block of outdoor unit



GENERAL FEATURES

- * Can be matched to any R410A air handler or coil
- * Ultra-Quiet Operation
- * Low voltage control system with 24V
- * Compact Design – space saving sleek design
- * Copper & Aluminum fins on condenser
- * Local service parts stock in BC, Canada



For continual product development, North American HVAC Products Ltd reserves the right to change specifications without notice.