



NORTH AMERICAN HVAC PRODUCTS LTD

Tel: 604-4308496 Fax: 1-866-9034371 www.northamericanhvac.com

Submittal Data Model No. MFAU-12HRFN1-M CONSOLE MULTI-ZONE INDOOR SYSTEM 12,000BTU/H

Job Name:	Location:	Date:
Purchaser:	Engineer:	
Submitted To:	For:	Review() Approval ()



COMPATIBILITY

SINGLE ZONE OUTDOOR SYSTEM:

NO

MULTI-ZONE OUTDOOR MODELS:

- M2OF-18HFN1-M (TWO ZONE OUTDOOR SYSTEM)
- M3OF-27HFN1-M (THREE ZONE OUTDOOR SYSTEM)
- M4OF-36HFN1-M (FOUR ZONE OUTDOOR SYSTEM)
- M5OF-45HFN1-M (FIVE ZONE OUTDOOR SYSTEM)

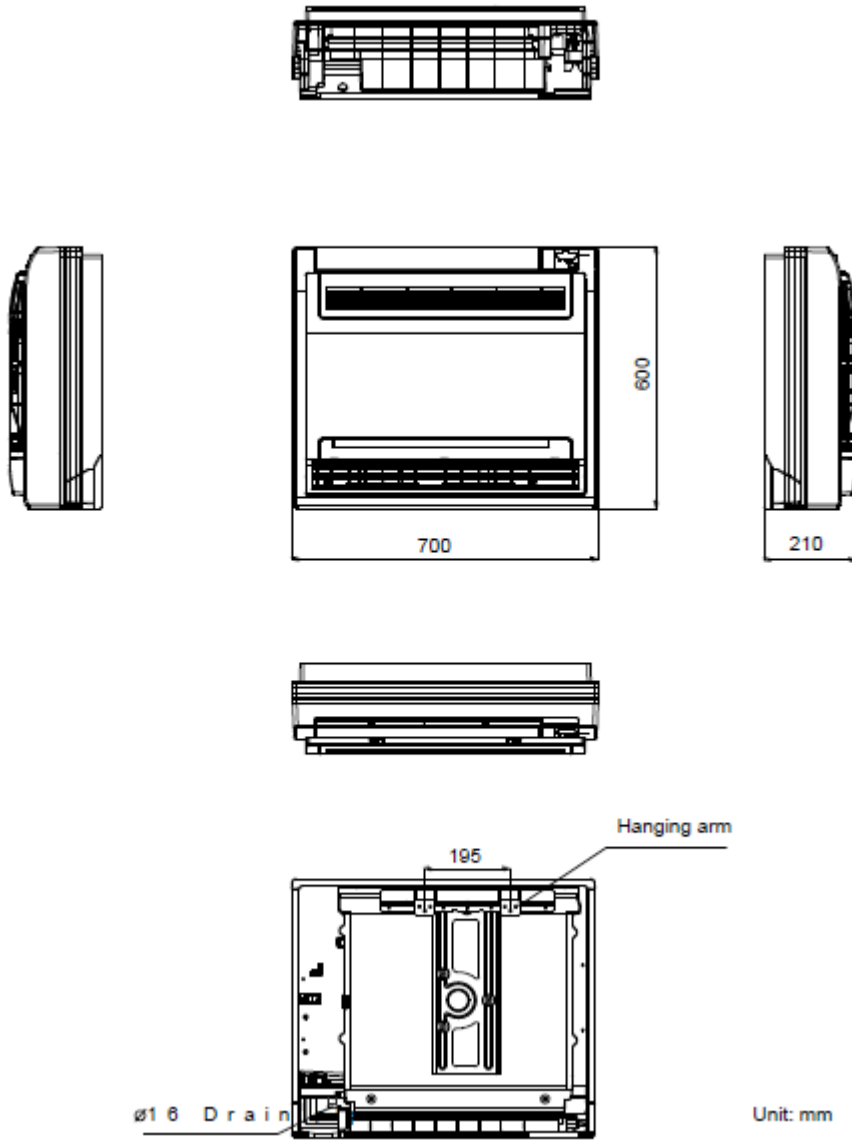
SPECIFICATIONS

Accessories	Line sets – insulated and flared.	TCP12/18L15 TCP 12/18L25 TCP12/18L50
Outdoor	Wall bracket	PJ412D, PJ412E
Outdoor	Riser support	SD01B
Safety Certifications		ETL
Warranty		2 YEARS PARTS, 6 YEARS COMPRESSOR

Indoor Model		MFAU-12HRFN1-M	
Power supply		V-ph-Hz	208-230~1-60
Cooling	Capacity	Btu/h	12000
	EER	Btu/W	13
	SEER		20
Heating	Capacity	Btu/h	12000
	HSPF4		10
	HSPF5		8
Max.fuse		A	15
Indoor fan motor	Model		ZKFP-20-8-2
	Old Model		RD-280-20-8A
	Qty		1
	Input	w	20(Output)
	RLA	A	1
	Speed (Turbo/Hi/Med/Lo)	r/min	810/780/680/530
Indoor coil	a.Number of rows		2
	b.Tube pitch(a)x row pitch(b)	inch	0.83x0.53
	Fins/inch		19
	d.Fin type		Hydrophilic aluminium
	e.Tube outside dia.and type	mm	Φ7,innergroove tube
	f.Coil length x height x width	mm	512x378x13.37
	f.Coil length x height x width	inch	20.16x14.89x0.53
	g.Number of circuits		1
Indoor air flow (Hi/Med/Lo)		m ³ /h	542/461/344
Indoor air flow (Hi/Med/Lo)		CFM	319/271/202
Indoor noise level (sound pressure) (Hi/Mid/Lo)		dB(A)	41/38/31
Indoor unit	Dimension (W x Dx H)	inch	27.56x23.62x8.27
	Packing (W x Dx H)	inch	31.89x27.95x12.01
	Net/Gross weight	lbs.	33.95/44.31
Design pressure		PSIG	550/340 PSIG
Drainage water pipe dia.		mm	ODΦ16
Refrigerant piping	Liquid side/ Gas side	mm/inch	Φ6.35/Φ12.70(1/4"/1/2")
	Room temperature	°C / °F	17~32 / 62~90
Room temperature	Cooling	°C / °F	17~32 / 62~90
	Heating	°C / °F	0~30 / 32~86
Operation temperature		°C / °F	17~30 / 62~86

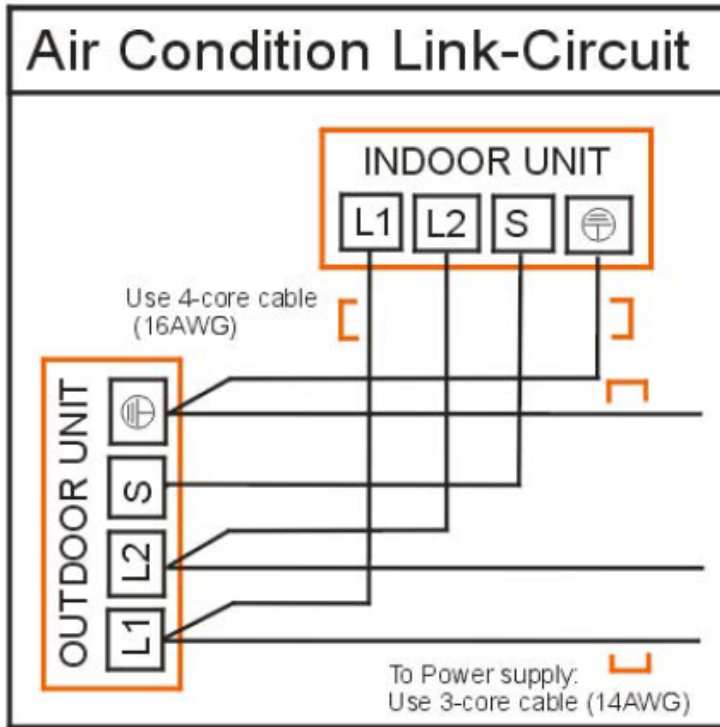


DIMENSIONS:





FIELD WIRING:



GENERAL FEATURES:

- * Ultra-Quiet Operation
- * Compact design
- * Adjustable 3-speed fan motor
- * Self-Diagnostics, LCD display
- * Auto restart operation
- * Dehumidifier mode
- * Local service parts stock in BC, Canada



For continual product development, North American HVAC Products Ltd reserves the right to change specifications without notice.