



NORTH AMERICAN HVAC PRODUCTS LTD

Tel: 604-4308496 Fax: 1-866-9034371 www.northamericanhvac.com

Submittal Data Model No. MCDU-24HRFN1-M(C) SINGLE ZONE / MULTI-ZONE 24,000BTU/H CEILING CASSETTE

Job Name:	Location:	Date:
Purchaser:	Engineer:	
Submitted To:	For:	Review() Approval ()



COMPATIBILITY

SINGLE ZONE OUTDOOR SYSTEM:

MODEL NO. MOD30-24HFN1-MT0W

MULTI-ZONE OUTDOOR MODELS:

M40F-36HFN1-M (FOUR ZONE OUTDOOR SYSTEM)

M50F-48HFN1-M (FIVE ZONE OUTDOOR SYSTEM)

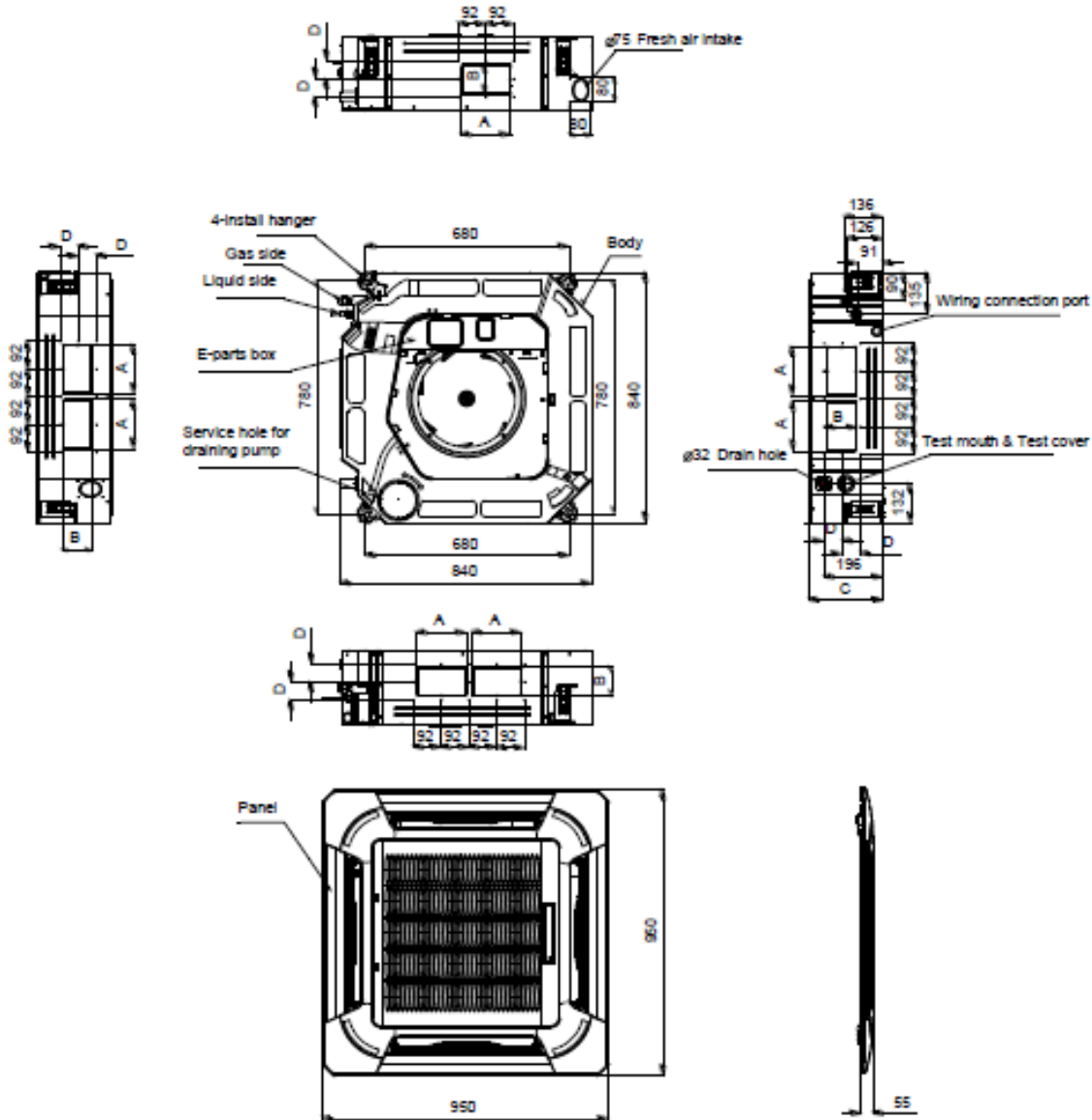
SPECIFICATIONS

Accessories	Line sets – insulated and flared.	TCP24L25 TCP24L50
Outdoor	Wall bracket	PJ412E
Outdoor	Riser support	SD01B
Safety Certifications		ETL
Warranty		2 YEARS PARTS, 6 YEARS COMPRESSOR

Indoor Model			MCDU-24HRFN1-M(C)
Power supply	V-ph-Hz		208-230V~ 60Hz, 1Ph
Cooling	Capacity	Btu/h	24000
	EER	Btu/W	12.5
	SEER		20
Heating at 47F	Capacity	Btu/h	24400
	COP	Btu/W	11.0
	HSPF4		10.5
	HSPF5		8.4
Max.fuse	A		15
Indoor fan motor	Model		ZKFP-42-8-1
	Old Model		WZDK42-38G
	Qty		1
Indoor air flow (Hi/Med/Lo)	m ³ /h		1189/-/974
Indoor air flow (Hi/Med/Lo)	CFM		700/-/573
Indoor noise level (sound pressure) (Hi/Mid/Lo)	dB(A)		51/47/43
Outdoor	Dimension (W x D x H) (body)	inch	33.07x33.07x8.07
	Packing (W x D x H) (body)	inch	35.43x35.43x8.54
	Dimension (W x D x H) (panel)	inch	37.4x37.4x2.17
	Packing (W x D x H) (panel)	inch	40.75x40.75x3.54
	Net/Gross weight(body)	lbs.	46.3/54.23
	Net/Gross weight(panel)	lbs.	11.02/17.64
Design pressure	PSIG		550/340 PSIG
Drainage water pipe dia.	mm		ODΦ32
Refrigerant piping	Liquid side / Gas side	mm	Φ9.52/Φ15.9(3/8"/5/8")
Controller			Remote control
Room temperature	Cooling	°C	17~32
	Cooling	°F	62~90
	Heating	°C	0~30
	Heating	°F	32~86
Operation temperature	°C		17~30
	°F		62~86



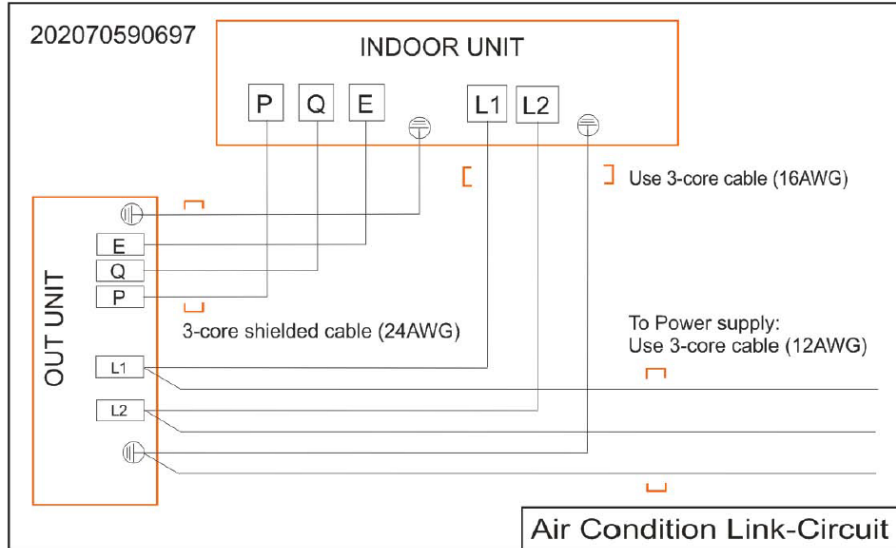
DIMENSIONS



				Unit: mm
Capacity(KBtu/h)	A	B	C	D
24	160	75	205	50
36	160	95	245	60
48	160	95	287	60



FIELD WIRING:



GENERAL FEATURES

- * Ultra-Quiet Operation
- * Compact design
- * Adjustable 3-speed fan motor
- * Self-Diagnostics, LCD display
- * Auto restart operation
- * Dehumidifier mode
- * Fresh air intake function
- * Remote controller (standard), Wired controller (optional)
- * 7 days programmable controller available (sold separately)
- * Built-in drain pump
- * Local service parts stock in BC, Canada

